

MAGNET

CATALOG MODEL 2022



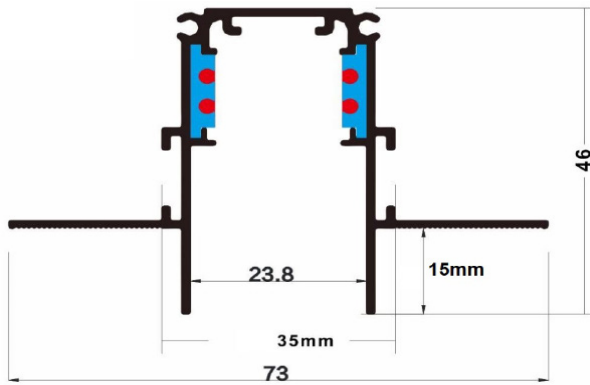
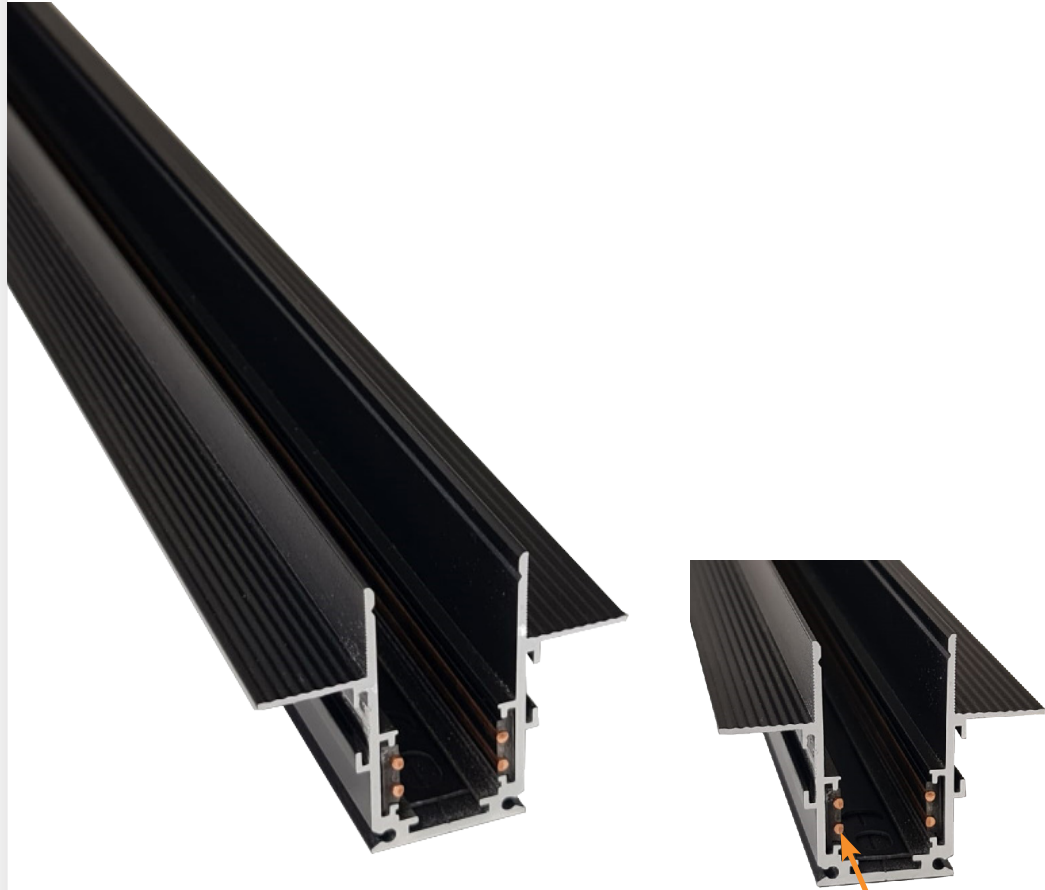
“ Why Magnetic light popular in those year?”

With the rise of the minimalist style, more and more modern styles of decoration choose linear lighting.

Low-voltage magnetic track light: The low-voltage magnetic track light is magnetically attracted to the low-voltage rails. The advantages are also obvious. The low-voltage power supply is also safe. The lamps are easy to install and can be installed by hand. Completed, eliminating the cumbersome process of installing lamps.

In the case of power, you can mix various types of magnetic lamps according to various needs. The combination of low-voltage magnetic track can be installed on the ceiling or on the wall. You can mix it with your favorite ones. modeling. The convenience of installation and simple style have been very popular among interior designers in recent years.

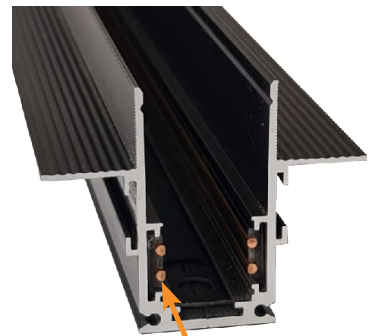
Magnet base plate..



Net Copper

NO.	DESCRIPTION
1	in to in (23.8mm) L=1m
2	in to in (23.8mm) L=2m
3	in to in (23.8mm) L=3m

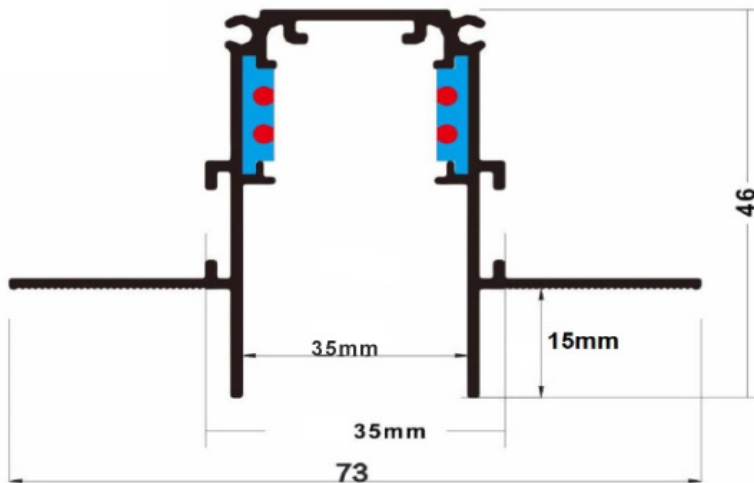
Magnet base plate..



Net Copper



Recessed mount horizontal corner



Recessed mount vertical corner

NO.	DESCRIPTION
1	in to in (35mm) L=1m
2	in to in (35mm) L=2m
3	in to in (35mm) L=3m

Cylinder Pendant Light..



A1

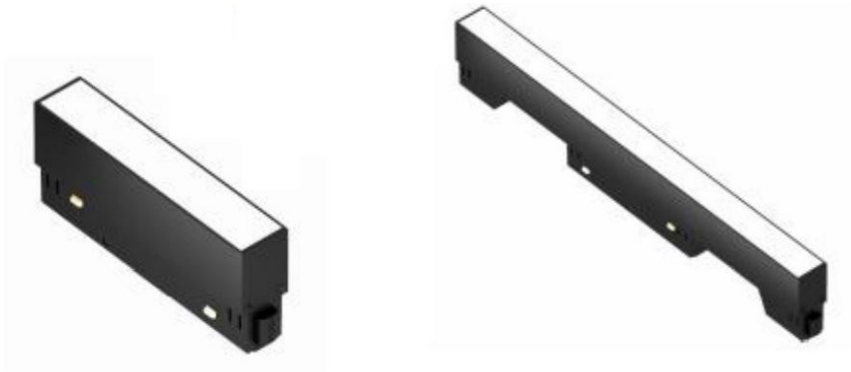


A2

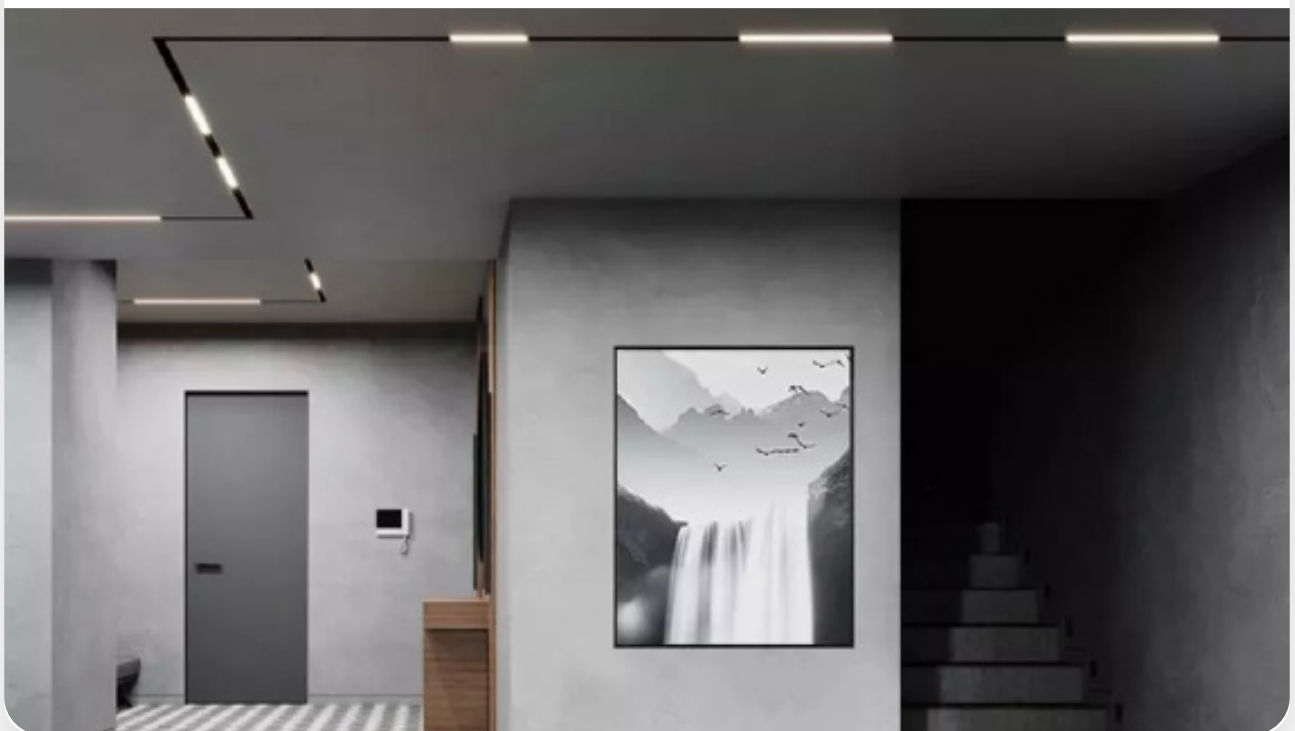
NO.	LIGHT SOURCE	SIZE	POWER
A1	Osram (4000K)	φ 45*L50mm	DC48V-7W
A2	Osram (4000K)	φ 65*L60mm	DC48V-12W
A3	Osram (4000K)	φ 65*L60mm	DC48V-18W



Linear Magnet Led Light-SMD..



NO.	LIGHT SOURCE	SIZE	POWER
2	Osram Chips (4000K)	L310*W22*H35mm	DC48V-10W
3	Osram Chips (4000K)	L610*W22*H35mm	DC48V-20W



Led Spotighting-COB..



NO.	LIGHT SOURCE	SIZE	POWER
1	Osram Chips (4000K)	L114*W22*H35mm	DC48V-10W
2	Osram Chips (4000K)	L220*W22*H35mm	DC48V-20W

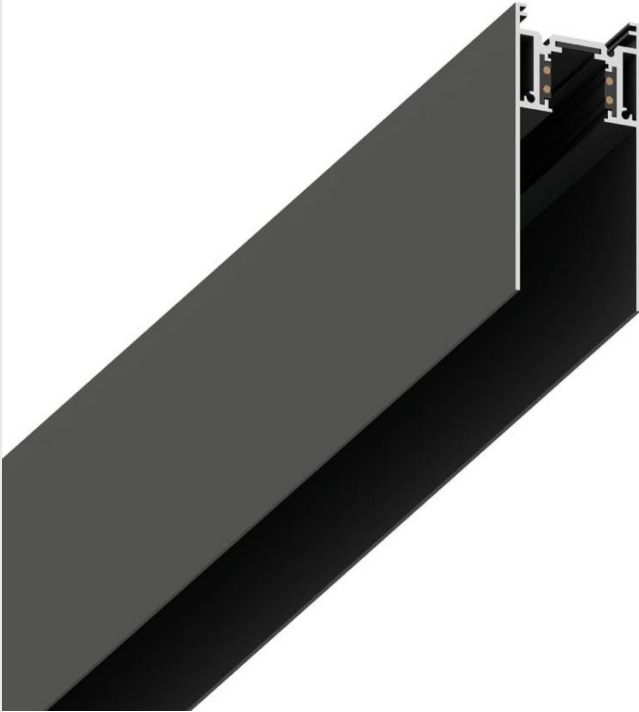
Rectangular Track Light..



NO.	LIGHT SOURCE	SIZE	POWER
B1	Osram (4000K)	L112*W24*H145mm	DC48V-10W
B2	Osram (4000K)	L220*W24*H145mm	DC48V-20W



Surface mount magnet 25 mm BK..



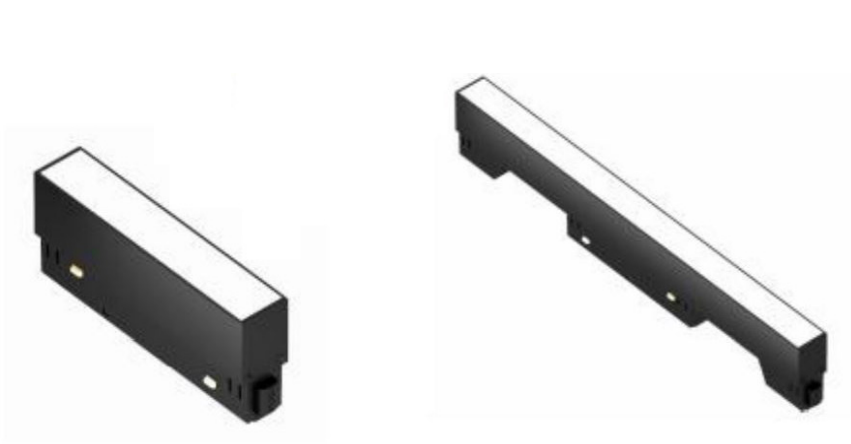
Recessed mount vertical corner



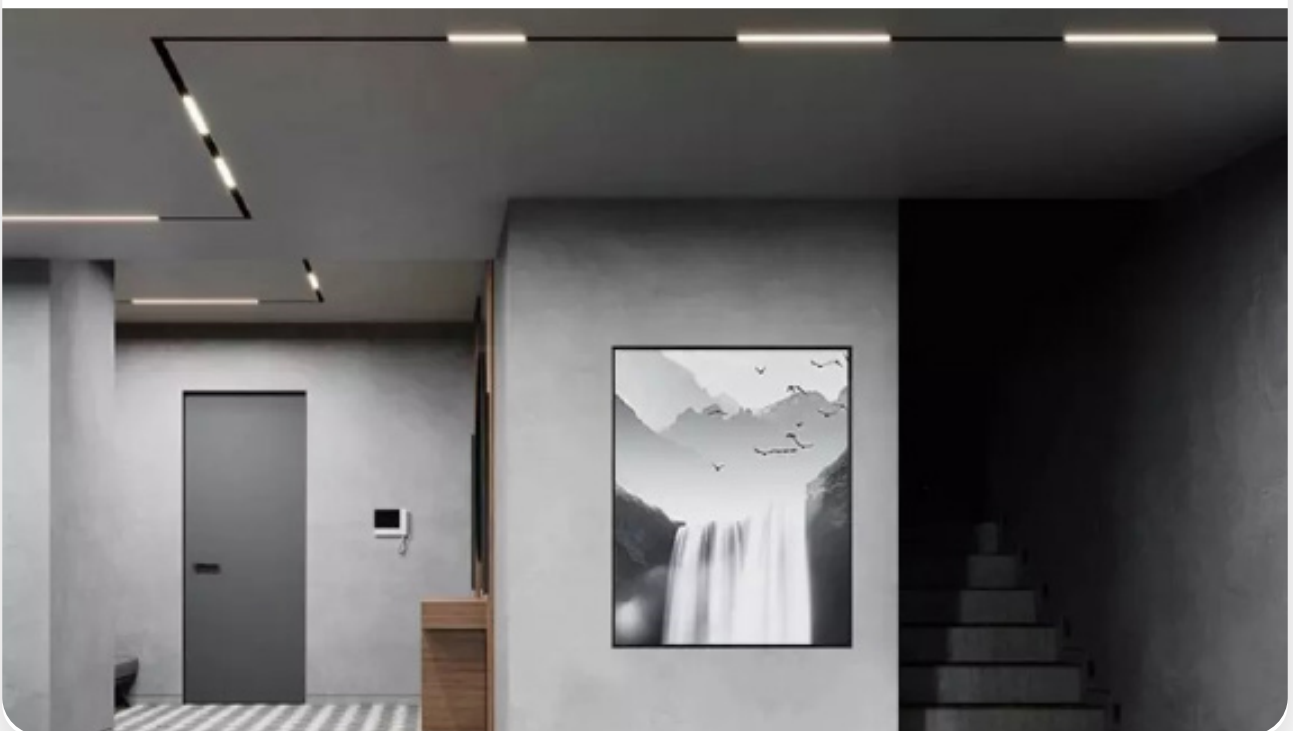
Recessed mount horizontal corner

NO.	DESCRIPTION
1	in to in (35mm) L=1m
2	in to in (35mm) L=2m
3	in to in (35mm) L=3m

Linear Magnet Led Light-SMD..



NO.	LIGHT SOURCE	SIZE	POWER
1	Osram Chips (4000K)	L114*W22*H25mm	DC48V-6W
2	Osram Chips (4000K)	L310*W22*H25mm	DC48V-10W
3	Osram Chips (4000K)	L610*W22*H25mm	DC48V-20W
4	Osram Chips (4000K)	L910*W22*H25mm	DC48V-30W
5	Osram Chips (4000K)	L1210*W22*H25mm	DC48V-40W



Led Spotighting-COB..



NO.	LIGHT SOURCE	SIZE	POWER
1	Osram Chips (4000K)	L114*W22*H25mm	DC48V-6W
2	Osram Chips (4000K)	L220*W22*H25mm	DC48V-12W
3	Osram Chips (4000K)	L330*W22*H25mm	DC48V-18W
4	Osram Chips (4000K)	L438*W22*H25mm	DC48V-24W

Rectangular Track Light..



A



B

NO.	LIGHT SOURCE	SIZE	POWER
A1	Osram (4000K)	L112*W24*H145mm	DC48V-6W
A2	Osram (4000K)	L220*W24*H145mm	DC48V-12W
B1	Osram (4000K)	L112*W24*H145mm	DC48V-6W
B2	Osram (4000K)	L220*W24*H145mm	DC48V-12W



Cylinder Track Light..



Move freely

position can be adjusted freely after the magnetic lamp is installed.

NO.	LIGHT SOURCE	SIZE	POWER
1	Osram (4000K)	φ 40*L90mm	DC48V-7W
2	Osram (4000K)	φ 40*L130mm	DC48V-12W
3	Osram (4000K)	φ 60*L148mm	DC48V-18W



Cylinder Pendant Light..



B1



B2



A1



A2

NO.	LIGHT SOURCE	SIZE	POWER
A1	Osram (4000K)	φ 40*L300mm	DC48V-7W
A2	Osram (4000K)	φ 40*L400mm	DC48V-12W
B1	Osram (4000K)	φ 40*L300mm	DC48V-7W
B2	Osram (4000K)	φ 40*L400mm	DC48V-12W





Accessories Magnet..



Recessed mount horizontal corner



Recessed mount vertical corner



T-Connect



Cross Connect



Recessed mount connect



Recessed mount connect

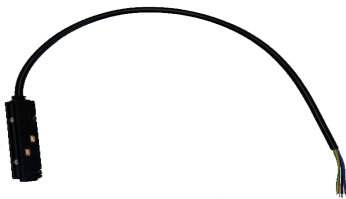
Accessories Magnet..



I-Connector



L+Soft-Connector



Input 48V-Connecort-0.5m

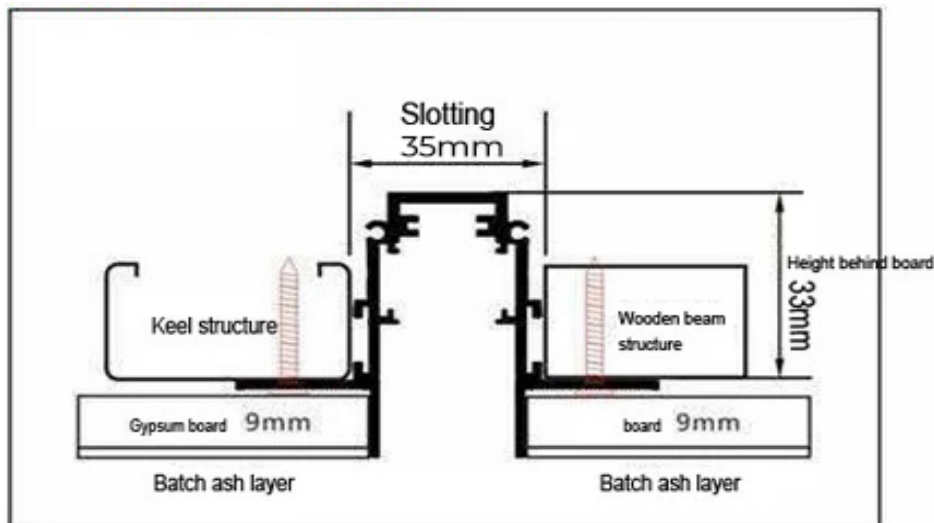


Input 48V-Connecort-2m



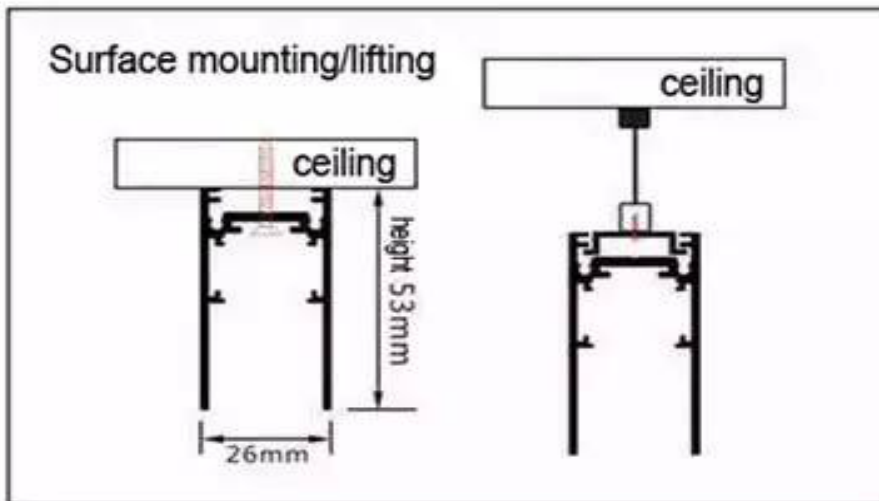
Dimmer light driver

magnet 25mm White



NO.	DESCRIPTION
1	in to in (35mm) L=1m
2	in to in (35mm) L=2m
3	in to in (35mm) L=3m

Surface mount magnet 25mm White

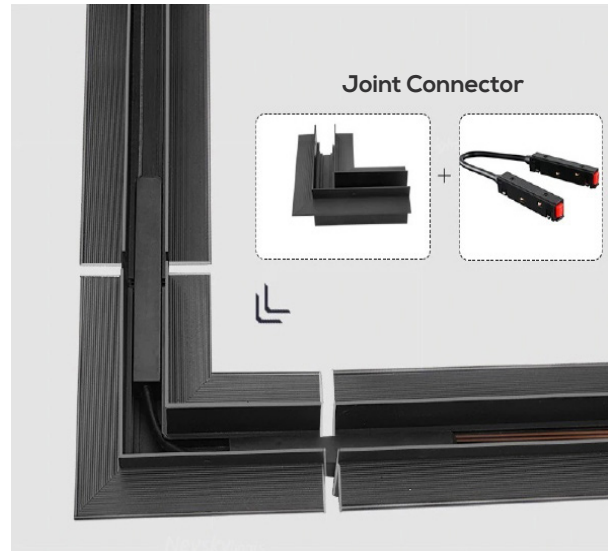


NO.	DESCRIPTION
1	in to in (35mm) L=1m
2	in to in (35mm) L=2m
3	in to in (35mm) L=3m

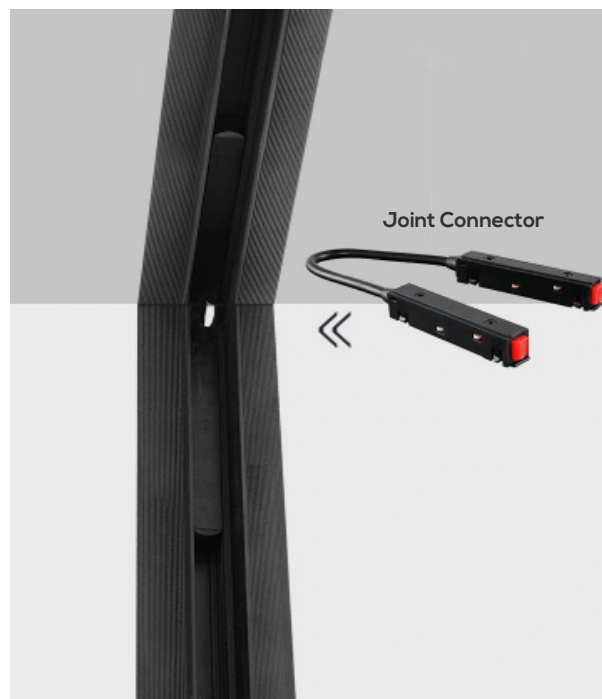
Details..



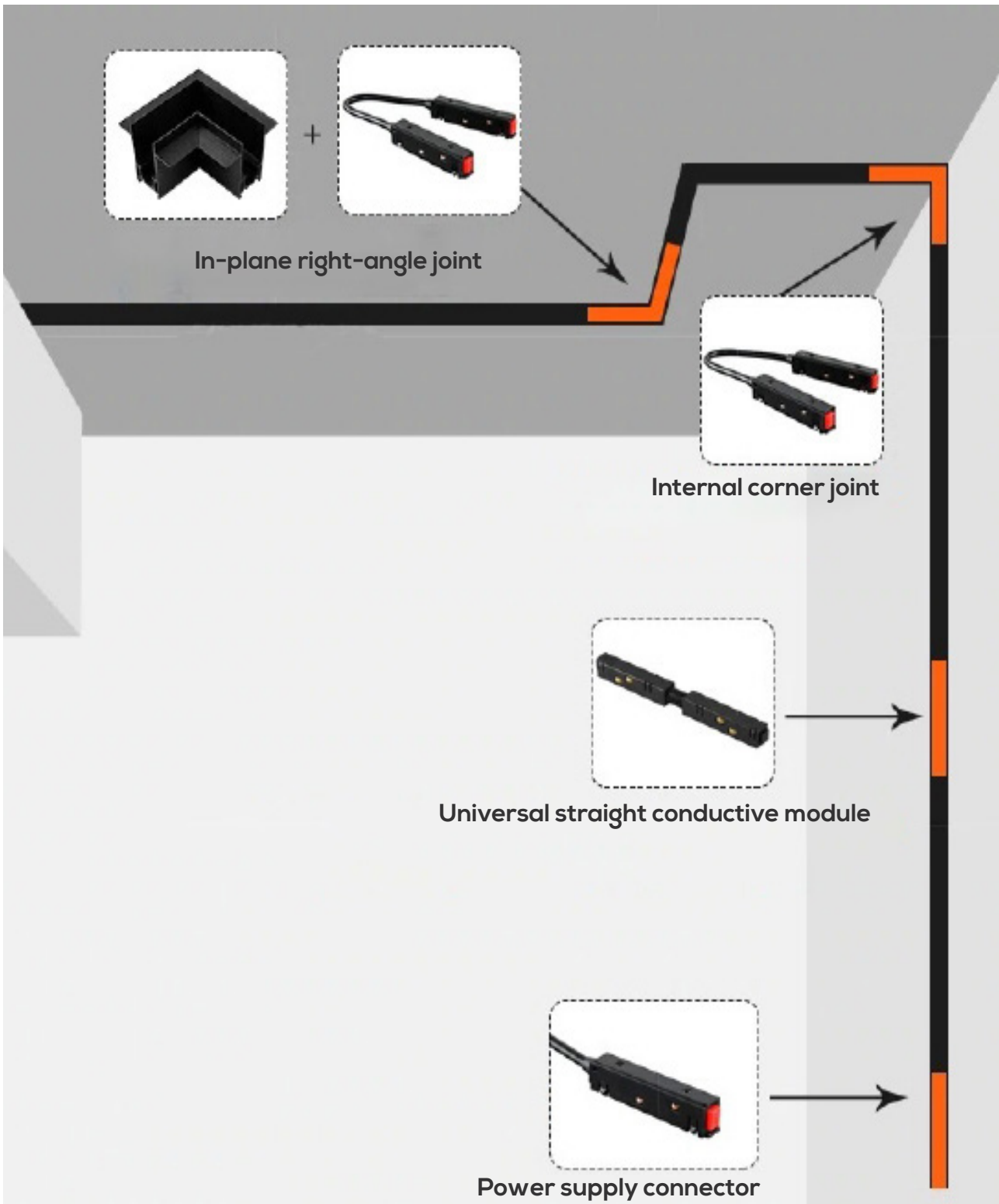
Join Two Tracks into a Straight line



Link of Two Track Horizontal Plane Corners



The Link Between Two Tracks From The Ceiling to the Wall



Join Two Tracks into a Straight line

Power Supply..



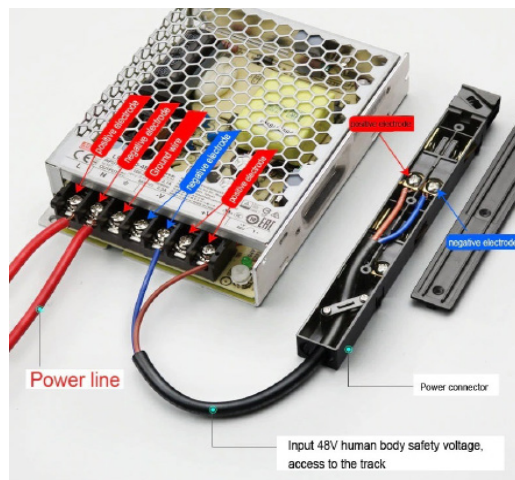
Hidden Power Supply

NO.	DESCRIPTION
1	48V-100W
2	48V-150W
3	48V-200W
4	48V-350W
5	48V-500W



Power Supply

NO.	DESCRIPTION
1	260*22*25MM-48V-100W
2	280*22*25MM-48V-200W





MAGNET MODEL 2022

CONTACT US

Address 1:

Street 60m , opposite of German Village

As Sulaymaniyah, Iraq.

+(964) 750 155 2912

Address 2:

Zargata - Opposite Girls Union High School

As Sulaymaniyah, Iraq.

+(964) 770 350 9001

www.akamlighting.com

info@akamlighting.com

په یوه نډی

لڼی په کهم:

سلیمانۍ - شهقامی بازنه ی مهلیک مهحمود

بهرامبر گونډی ئه لمانی

+(964) 750 155 2912

لڼی دووهم:

سلیمانۍ - زهرگه ته - بهرامبر ئاماده یی په کیتی کچان

+(964) 770 350 9001

www.akamlighting.com

info@akamlighting.com

ژماره موبایلی ئاکام:

+(964) 770 155 2912